

UNIVERSAL MANUAL TRASH CAN DUMPER - TCD-U-60-AC

APPROX WEIGHT: 802.90 lbs. DOES NOT INCLUDE WEIGHT OF POWER OR PACKAGING!!!

*** ANY ADDITIONS, DELETIONS, OR OMISSIONS MUST BE CORRECTED ON THIS DRAWING AS THIS DRAWING WILL BE CONSIDERED ALL INCLUSIVE ***

ALL GRAPHICS PROVIDED ARE FOR REFERENCE ONLY. IF CERTAIN DIMENSIONS ARE CRITICAL PLEASE VERIFY THOSE DIMENSIONS WITH YOUR SALESPERSON

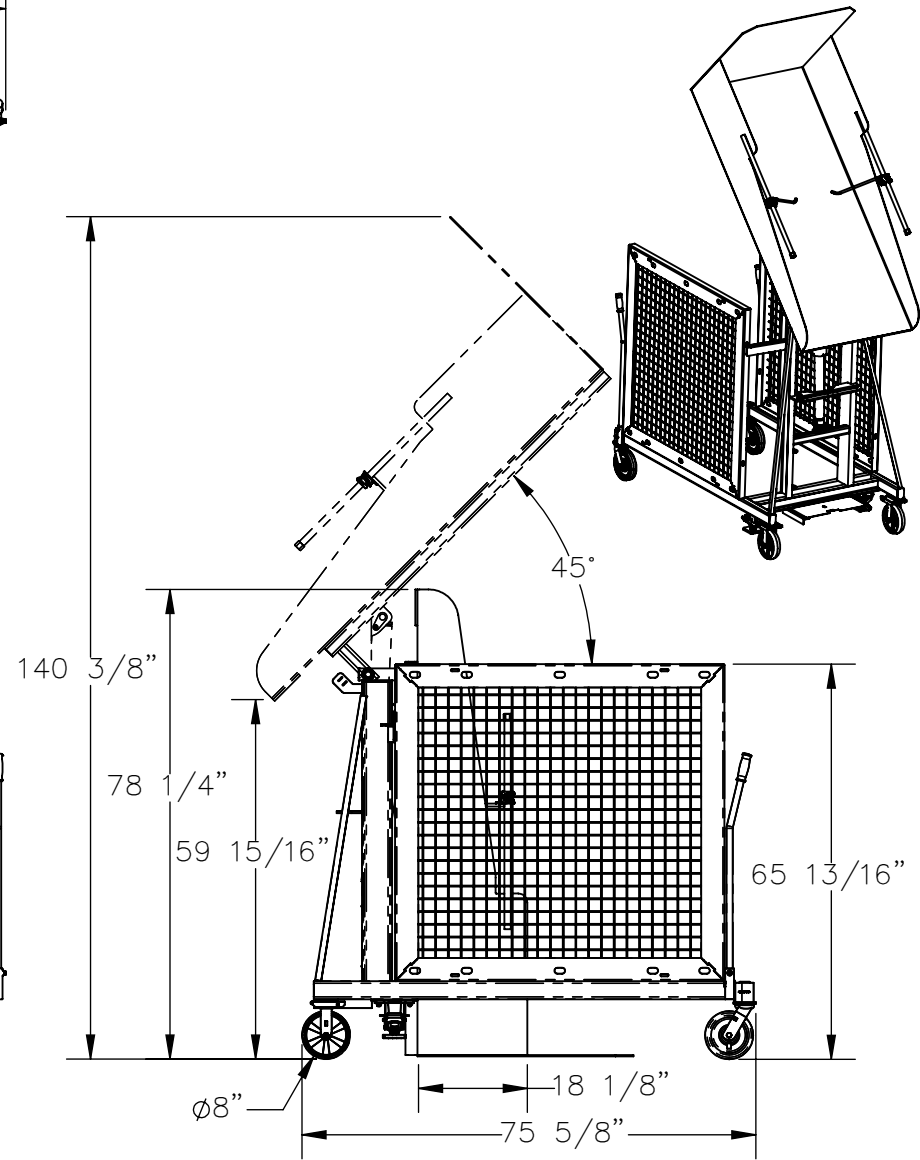
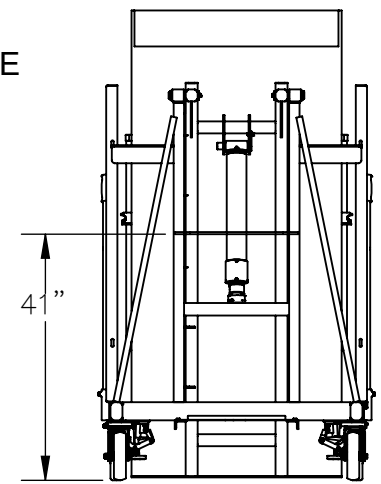
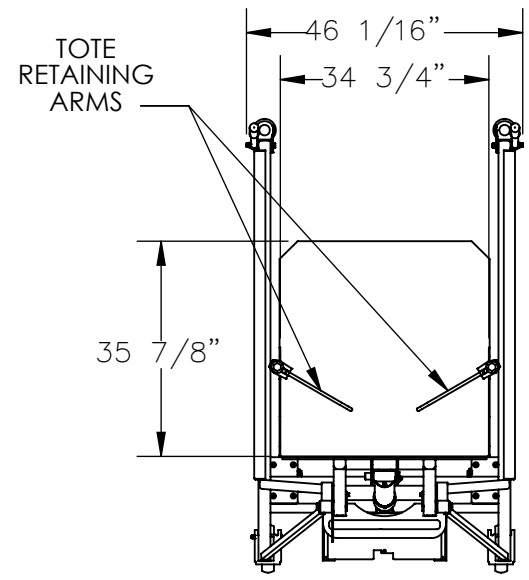
STANDARD FEATURES

- MODEL NUMBER: TCD-U-60-AC
- USABLE CHUTE WIDTH: 34"
- USABLE CHUTE LENGTH: 35-7/8"
- OVERALL LENGTH: 75-5/8"
- OVERALL WIDTH: 46-1/16"
- OVERALL HEIGHT: 78-1/4"
- OVERALL ROTATED HEIGHT: 140-3/8"
- MAXIMUM ROTATED ANGLE: 45°
- DUMP HEIGHT: 59-15/16"
- WORKS WITH TRASH CANS OF
 - 17 1/2" TO 34" WIDTH
 - 20 1/2" TO 35 7/8" LENGTH
 - 27" TO 50" HEIGHT
- UNIFORM CAPACITY IS 400 LBS
- CASTERS:
 - FRONT: 8" X 2" GFN SWIVEL
 - REAR: 8" X 2" GFN RIGID
- TWO ADJUSTABLE FLOOR LOCKS
- INTERNAL POWER UNIT: 115V AC SINGLE PHASE
- 2 BUTTON NEMA 4 HAND PENDANT CONTROL
- W/ 8 FOOT COIL CORD

FRAME: DURABLE LIQUID PAINT BLUE FINISH
 CHUTE: TOUGH BAKED IN POWDER COATED YELLOW FINISH

SPECIAL FEATURES

NONE



DIMENSION TOLERANCE ± 1/4"

APPROVAL

I, THE UNDERSIGNED, AGREE THAT THE PRODUCT AS REPRESENTED SATISFIES DESIGN AND DIMENSION REQUIREMENTS. I ALSO ACKNOWLEDGE MY DUTY TO CONFIRM PRODUCT AND INSTALLATION COMPLIANCE WITH ALL APPLICABLE FEDERAL, STATE AND LOCAL REGULATIONS AND STANDARDS.

UNITS REQUIRING APPROVAL DRAWINGS OR MODIFIED ARE NON-RETURNABLE

[] As drawn [] As marked

Signed: _____ Date: _____

Printed Name: _____

LEAD TIME WILL START UPON RECEIPT OF SIGNED APPROVAL DRAWING

DISTRIBUTOR'S NAME:		P.O.# X
VESTIL MANUFACTURING		W.O.# X
DRAWN BY: SJA	DATE: 7/23/2016	SALES: X
REFERENCE: X	SCALE: 1:32	FILE NAME:
QUOTED LEAD TIME: X	QUOTE # X	34-007-033-001